



CHEROKEE ELECTRIC COOPERATIVE

P. O. Box O • 1550 Clarence Chesnut By-Pass • Centre, AL 35960

Phone: 256-927-5524 • 1-800-952-2667 • Fax: 256-927-1642

REQUIREMENTS FOR UNDERGROUND SERVICE

INSTALLATION BY CUSTOMER

DITCH MUST BE INSPECTED BEFORE CLOSING!

1. The Cooperative will install an underground service to an applicant who meets the following requirements:
 - A. 200 AMP single phase service to single family dwellings, houses and/or double-wide mobile homes, duplex apartment buildings, or commercial accounts up to a maximum of 200 feet for an aid-to-construction charge of \$600.00. The customer will be required to open and close the ditch and install 2 1/2" Schedule 40 PVC conduit from the meter base to a point designated by the Cooperative.
 - B. For 400 AMP single phase and three phase underground services, up to a maximum of 200 feet for an aid-to-construction charge of \$1200.00. The customer will be required to open and close the ditch and install (1) run of 3 1/2" Schedule 40 conduit from the meter base to a point designated by the Cooperative.
 - C. For 600 AMP single phase and three phase underground services, up to a maximum of 200 feet for an aid-to-construction charge of \$1800.00. The customer will be required to open and close the ditch and install (2) runs of 3 1/2" conduit in the same ditch from the meter base to a point designated by the Cooperative. See attached drawing.
 - D. For new services larger than 600 AMP, the aid-to-construction will be \$3.00 per AMP (Example: 800 AMP = \$2,400.00)
 - E. The maximum distance for the secondary service is 200 feet. This distance is measured from the source of regulated voltage (transformer) to the connection at the meter base, not the length of the ditch. Some connections are made to transformers at ground level, and some are to transformers located atop poles. The maximum length of the connecting wire is 200 feet regardless of how connection is made.
2. When multiple or gang meter bases are required, they must meet Cooperative standards and be supplied by the developer.
3. Anyone desiring to change an existing overhead service to underground service will pay \$800.00 plus the cost of underground service outlined in section 1 of "Requirements for Underground Service."

4. The opening and closing of the ditch for an underground service, underground secondary and/or underground primary shall meet the following specification:
For a 200 AMP service, the ditch must be a minimum width of 6 inches and a depth of 30 inches. For a 400 AMP or 600 AMP service, single phase or three phase, the ditch must be a minimum width of 12 inches and a depth of 30 inches.
All conduit shall be Schedule 40 electrical grade, gray in color, no white shall be used. All 90-degree bends shall be Schedule 40 electrical grade, gray in color and shall be 36-inch radius. No 18-inch or 24-inch radius will be accepted. It is also required that a pull string be placed in the conduit by which the service wire can be pulled through the conduit. (The Cooperative will furnish a pull string for customer to install.)
Warning tape shall also be required to be placed in the ditch providing approximately 18 inches from the warning tape to the service.
Approximately 12 inches of dirt should cover the warning tape. (The Cooperative will furnish warning tape at the time of inspection.)
If the Cooperative, upon inspection, finds that the specifications mentioned above have not been met, the construction crew will not perform any work until the ditch meets the specifications. This applies to all ground conditions, dirt, rock, tree roots, etc.
5. The customer will be responsible for notifying, marking, and exposing all obstacles that may be in harm's way of the installation process. (Example: septic tanks, field lines, water lines, gas lines, etc.) No underground service, secondary, and/or primary shall be installed under septic tank field lines or within 5 feet of septic tanks, per health department.
6. The customer will be responsible for any damage incurred due to the improper notification of part 5 of this policy.
7. The customer will be responsible for removing concrete foundation under meter base.
8. A disconnect is required at the meter base, it will be mounted on the right side of the meter base.
9. Ground rods must be installed 18 to 24 inches to one side of the meter base.
10. The customer will be responsible for signing forms stating he/she is aware of the contents of this policy.

11. For conditions where the customer has problems reaching the proper depth of ditch for underground service and/or secondary, contact the Engineering Dept. of Cherokee Electric Cooperative for additional cover requirements. No provisions shall be made for reaching the proper depth of ditch for underground primary
12. All Primary Devices, single phase or three phase, must be set outside of the lake easement (or flood plain). Primary Devices include, but are not limited to, transformers, junction boxes and vaults.
13. All meter bases must be out of lake easement and or floodplain.
14. All meter bases must have access for Cherokee Electric Coop maintenance.
15. Any upgrades or renovation by the member must comply to all the above requirements.

Requirements For Underground Service



CHEROKEE
Electric Cooperative

*By signing below, you are agreeing to the terms, conditions and requirements listed in this document.

CEC Member

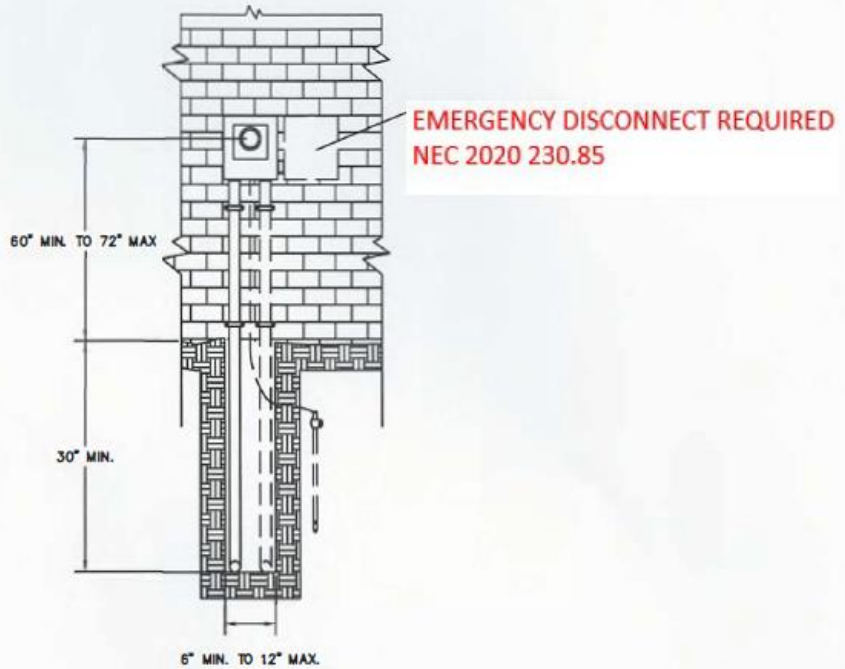
CEC Representative

Date

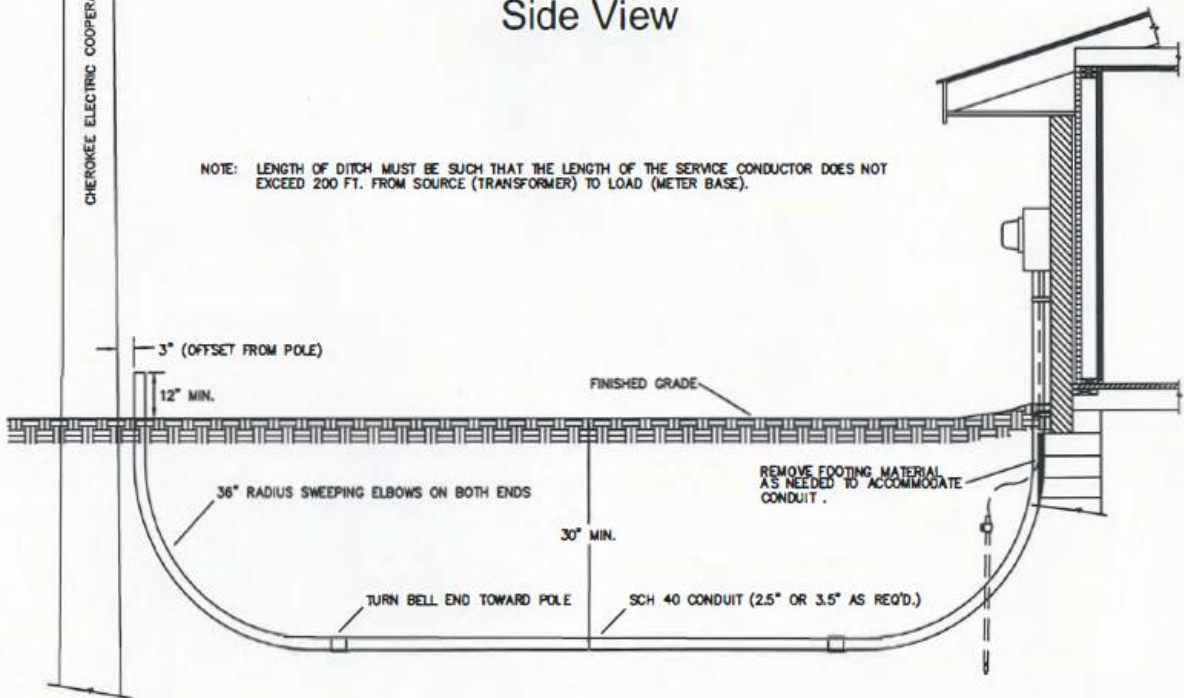
Service Order Number

Account Number

Meter Front View



Side View



Drawn By: L.A.	Date: 9-2020
Approved By: S.N.	Rev.: 3.0
	Scale: Not to Scale

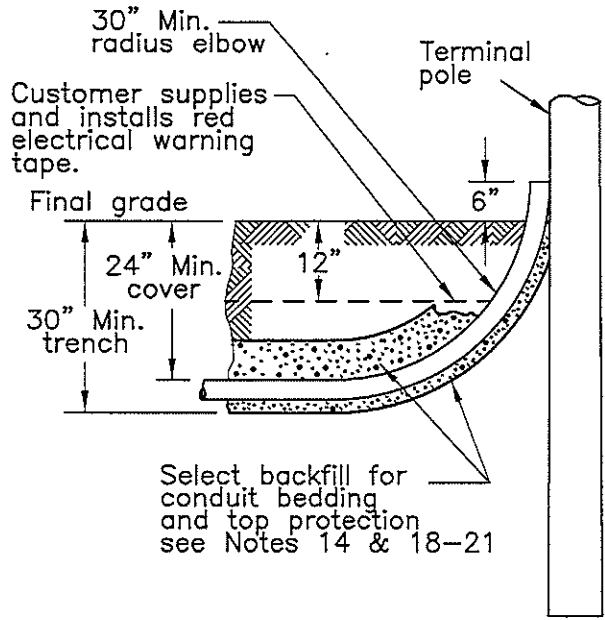


Cherokee
Electric
Cooperative

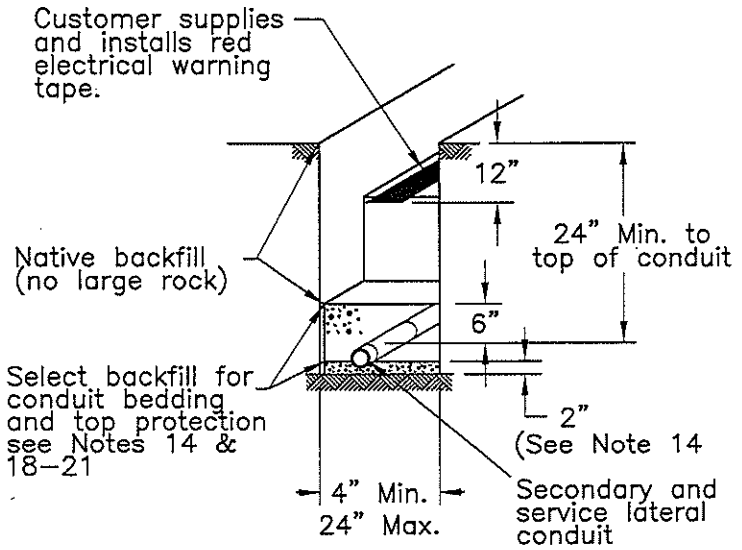
Construction Guideline Drawing

Underground Service Detail

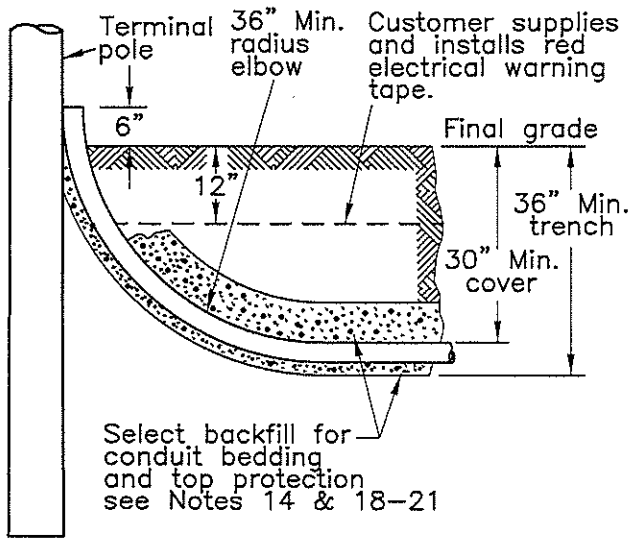
Secondary/Service Conduit at Pole



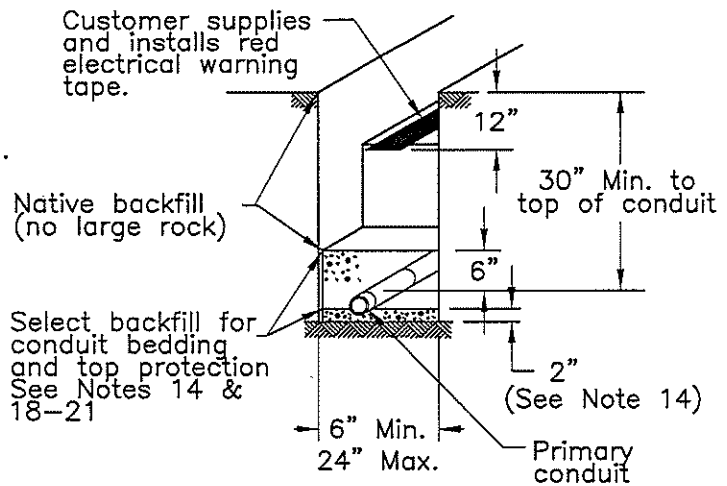
Secondary/Service Lateral Trench



Primary Conduit at Pole



Primary Trench



Notes:

1. For customer/Company responsibilities, see Exhibit A.
2. Detailed notes for trench, conduit, and backfill requirements are provided in Exhibit F pages 1, 2, & 3.
3. See Exhibit F, pages 1 for Notes 5 & 6, for joint-use trenches.

Trenching, Conduit, & Backfill Requirements

FirstEnergy

Developer's Guide	REV.
	1
EXHIBIT E	DATE
	8/21